



POP[®]

AutoSet[®] **Self Feed Riveting System** *Proven to Reduce Installation Cost and Improve Productivity.*

AutoSet[®] is the state-of-the-art portable hand-held riveting system featuring pre-loaded POP[®] brand rivets on tape with an auto-feed riveting system.

AutoSet[®] provides a fast setting operation and reload time which results in an immediate increase in productivity and a reduction of in-place installation cost. The AutoSet[®] has a highly engineered “one-touch” cycle mechanism that allows the operator to set rivets automatically while having one hand free to hold work pieces in place. The built in Mandrel Collection System (MCS) provides work place safety and cleanliness.

Targeted for middle to high volume applications, AutoSet[®] is a portable, ergonomically balanced tool that can be suspended both horizontally and vertically.

AutoSet[®] is capable of setting 1/8” (3.2mm) & 5/32” (4.0mm) rivets and certain rivet types in 3/16” (4.8mm).

Features & Benefits:

- **Auto-Feed & Multi-Set**
POP[®] brand pre-loaded rivets on tape
- **Quick Operation**
Reload time: 8-10 sec
Cycle time: 2 sec
- **Easy to Use**
One-touch cycle
Built-in MCS
Adjustable vacuum
- **Portable**
One free hand
Ergonomically weight balanced
- **Reliable**
Three jaw system

Preloaded Rivets on Tape



Easy to Feed



Built-in MCS

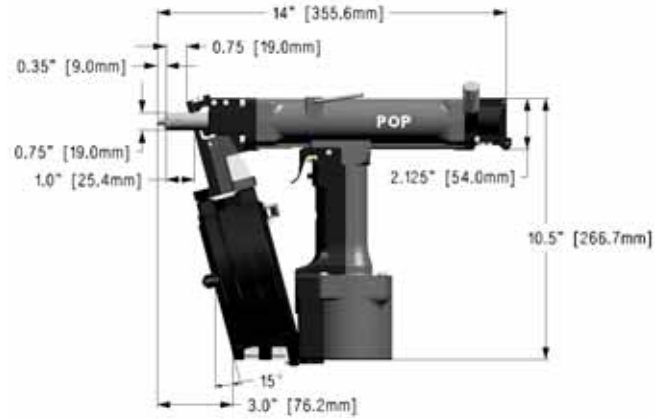
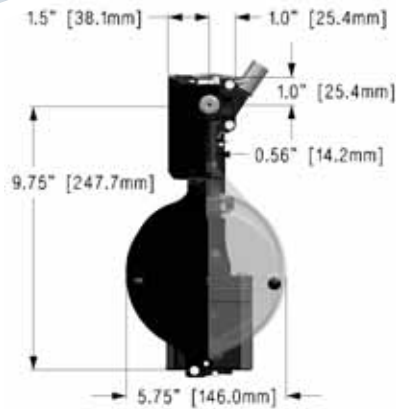


www.emhart.com

Emhart[®]
Teknologies
 POP[®]

POP®

AutoSet® Rivet Tool



	Imperial	Metric
Tool Weight	5.0 lbs	2.3 kg
Rivet Capacity	AutoSet 5: 1/8" & 5/32" AutoSet 6: 3/16" (Steel/Steel)	AutoSet 5: 3.2 mm & 4.0mm AutoSet 6: 4.8 mm (Steel/Steel)
Grip Range (Min/Max)	1/8" - 3/8" (Applies to both models)	3.2mm - 9.5mm
Capacity of Magazine & MCS	1/8" 5/32" 3/16"	100 Rivets 80 Rivets 60 Rivets
Stroke	0.71 in	18 mm
Pulling Force	1300 lbs	5.8 kN
Air Consumption	Static: 3 scfm; Peak: 6 scfm	
Cycle Time	2 sec	
Load Time	8-10 sec	
Air Pressure (Min/Max)	85 / 100 psi	5.8 / 6.9 Bar
Air Flow Minimum	6 scfm	150 liter/min
Air Type	Lubricated- Inline or Manual	

Type		
Dome Head Countersunk Large Flange	Dome Head Countersunk	Dome Head Countersunk
Diameter		
1/8" (3.2mm)	5/32" (4.0mm)	3/16" (4.8mm)
Aluminum/Aluminum		
Aluminum/Steel or Stainless Steel		
Steel/Steel		
Stainless Steel/Stainless Steel		

- Open End Multi-Grip Ultra-Grip™
- Closed End Self Plugger

Please call us to check Rivet Styles.

Nosepieces & Parts

Rivet Diameter	Nosepieces			
	Open End Rivets (All)		Closed End Rivets (Alum/Steel)	
	Closed End Rivets (Alum/Alum)			
	Domed	Countersunk	Domed	Countersunk
1/8" (3.2mm)	DP220-501	DP220-527	DP220-500	DP220-525
5/32" (4.0mm)	DP220-502	DP220-528	DP220-501	DP220-527
3/16" (4.8mm)	DP220-503	DP220-529	-	-

Parts	AutoSet 5 (P/N PA220-990)	AutoSet 6 (P/N PA220-991)
3-Jaws	DP220-618	DP220-619
Jaw Pusher	DP220-61	DP220-215
Slide Pipe	DP220-62	DP220-216
Magazine Assembly	DP220-616	DP220-617
Hydraulic Oil – 1qt container	DP220-806	DP220-806
Molybdenum (Moly) Grease	DP220-810	DP220-810

Americas
Emhart Teknologies
P.O. Box 859
50 Shelton Technology Center
Shelton, CT 06484 USA
Tel: (877) EMHART1
Fax: (800) 225-5614

Europe
Emhart Teknologies
177 Walsall Road, Perry Barr
Birmingham, B42 1BP, UK
Tel: +44 (0) 121 331-2460
Fax: +44 (0) 121 356-1598

Canada: (514) 351-0330
Brazil: + 55 11 3871-6460
México: + 52-55-5326-7100

Asia Pacific
Emhart Teknologies
Shuwa Kioicho Park, Bldg 3F
3-6 Kioicho, Chiyoda-Ku
Tokyo 102-0094, Japan
Tel: +81 (03) 3265-7291
Fax: +81 (03) 3265-7298

© 2008 Emhart Teknologies

P472 Rev.7 (02/08) 2.5M

Emhart® Teknologies